



MIES Collab

A CHAT BOARD & MILLION collaboration



embracing creative dialogue

MIES Collab

A CHAT BOARD & MILLION collaboration

Taking its cue from Ludwig Mies van der Rohe's immortal dictum 'less is more', the design language of the new CHAT BOARD & MILLION collaboration MIES Collab is kept deliberately stringent and minimalist. Seamlessly intersecting horizontal and vertical lines create a clear, architectural composition which is equal parts form and function, with a meticulously precise attention to detail. The glass tabletop nestles elegantly within the four corners of the frame, with a slight recess accentuating the contrasting juxtaposition of materials: the delicately smooth glass surface and the tactile softness of powder-coated steel. With just the right amount of industrial edge, MIES adds flexible and functional sophistication to any space, from the workplace to the family dining room.

The MIES Collab table collection is the result of a close collaboration with MILLION, the Copenhagen design studio founded in 2015 by internationally acclaimed designers Claus Jakobsen and Jens Kajus. Their precise and moving design ethos shines through in every object carefully conceived from their uncompromising approach to innovation, aesthetics, material quality, and production ethics.



CHAT BOARD® MIES Collab is available in four different sizes: 3 work-/dining tables, and 1 high table. All four models come with a table top made with 10 mm tempered safety glass, in accordance with the highest quality standards, finished with smooth C-edges and radius corners. The table top is available in 32 different glass colours, while the powder coated steel frame is available in 2 colours: Signal White RAL 9003 and Jet Black RAL 9005.

In addition, the glass table top can be made to order in bespoke standard RAL and NCS glass colours.

Please contact our head office with any special requests: info@chat-board.dk

Item no.	Product	Description	Dimensions		Weight kg
			Glass top W x L cm	Frame (total size.) W x L x H cm	
Work-/dining table (frame & table top):					
CBMIES90150	CHAT BOARD® MIES Collab	work-/dining table with a writable, coloured glass top	89.2 x 149.2	90 x 150 x 73	56.3
CBMIES90180	CHAT BOARD® MIES Collab	work-/dining table with a writable, coloured glass top	89.2 x 179.2	90 x 180 x 73	64.0
CBMIES90200	CHAT BOARD® MIES Collab	work-/dining table with a writable, coloured glass top	89.2 x 199.2	90 x 200 x 73	69.4
High table:					
CBMIES80180H	CHAT BOARD® MIES Collab	high table with a writable, coloured glass top	79.2 x 179.2	80 x 180 x 105	60.5
Separate table top (excl. frame):					
CBMIESTT89149	table top for 90150	writable, coloured glass top for work-/dining table	89.2 x 149.2	-	33.3
CBMIESTT89179	table top for 90180	writable, coloured glass top for work-/dining table	89.2 x 179.2	-	40.0
CBMIESTT89199	table top for 90200	writable, coloured glass top for work-/dining table	89.2 x 199.2	-	44.4
CBMIESTT79179	table top for 80180H	writable, coloured glass top for high table	79.2 x 179.2	-	35.5
Castor wheels (can be attached to table legs):					
CBMIESCSET4	castors (fit all sizes)	set of 4 castor wheels - black or white	Ø 6.5 cm	-	-

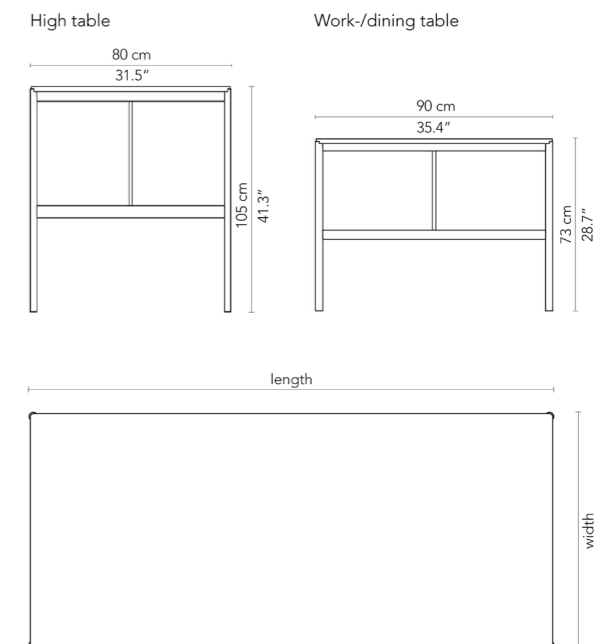
Design
MILLION, 2020

Materials

Table top:
10 mm tempered safety glass according to highest quality standards, finished with unpolished, C-shaped edges and radius corners

Table Frame:
Powder coated steel

Colour options
Glass: 32 standard colours
Steel: RAL 9003 Signal White or RAL 9005 Jet Black





CHAT BOARD®

designed & manufactured
by CHAT BOARD A/S
Tempovej 10 C
DK-2750 Ballerup

T. +45 4484 5144
F. +45 4484 5688
info@chat-board.dk
www.chat-board.dk

VAT no. DK 15806230

